

**ELECTRICAL/MECHANICAL SPECIFICATIONS****Power supply**

- HTI 300-HMD 300 version:
  - 220-240V 50Hz
  - 200V 50Hz - 230V 60Hz
  - 200V 60Hz
- HMI 575 version:
  - 220-240V 50Hz
  - 200-220V 60Hz

**Lamp**

Metal iodide type with special built-in power supply unit.

- Type of lamp: HTI 300W
  - Cap Sfc 10-4
  - Colour temperature 6,500 K
  - Luminous flux 22,000 lumen
  - Average life 750 h
- Type of lamp: HMD 300W
  - Cap Sfc 10-4
  - Colour temperature 5,700 K
  - Luminous flux 20,000 lumen
  - Average life 3,000 h
- Type of lamp: HMI 575W
  - Cap Sfc 10-4
  - Colour temperature 6,000 K
  - Luminous flux 49,000 lumen
  - Average life 750 h

**Power consumption**

- HTI 300-HMD 300 version
  - 800VA at 220V 50Hz (no correction)
- HMI 575 version
  - 750VA at 220V 50Hz
  - correction factor 70µF standard

**Cooling**

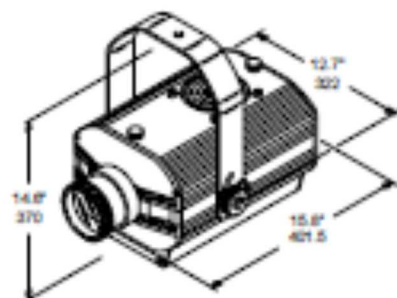
Forced ventilation cooling system using axial flow fans.

**Housing**

- Extruded die-cast aluminium.
- Epoxy powder coated finish.

**Support**

- Steel bracket with epoxy powder coated finish.
- Bracket adjustable through 110°.



COMBICOLOR 300

**Motors**

N. 5 microstepping motors with full microprocessor control.

**OPTICAL SYSTEM****Optical unit**

- Main optical unit in diecast aluminium.
- Incorporating twin lens condenser.
- Reflector of high luminous efficiency.

**Lens units**

- Standard: 1:2,2/100 mm (20°).
- Optional: 1:1,9/190 mm (10,3°).
- Optional: 1:3,3/300 mm (6°).

**CONTROL SYSTEMS****Channels**

N. 4 control channels.

**Inputs**

The COMBICOLOR is set up to accept analog or digital signals from controllers or computers.

- Digital serial input: RS232/423(PMX) o DMX 512
- 0-10V analog input

**CONSTRUCTION FEATURES****Safety devices**

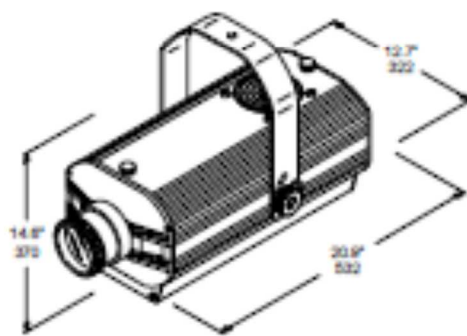
- Power supply shuts off automatically in the event of overheating or cooling system failure.
- Power shuts off automatically when cover is opened.

**Operating position**

Will function in any position.

**Weights and dimensions**

- HTI 300-HMD 300: 14.3 kg. (31 lbs 70 oz)
- HMI 575: 20 kg. (44 lbs)



COMBICOLOR 575